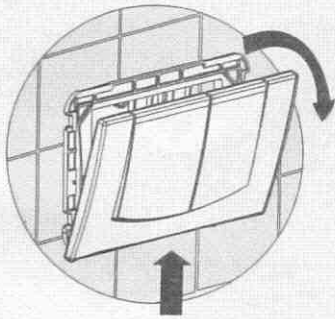
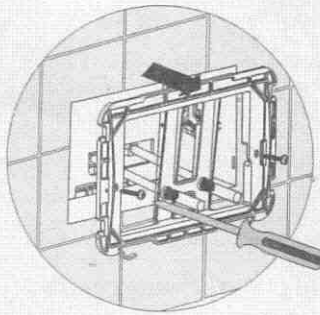


Maintenance Manual of Concealed Cistern (Install With Wall Hung Toilet)

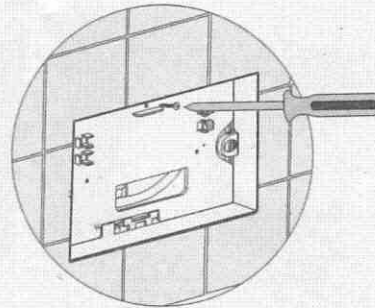
1. Open cistern panel system



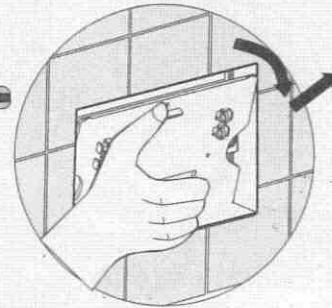
Push the bottom of cistern panel upwards, turn the top of cistern panel about 30°, take the cistern out of the panel frame.



Wring out of the screw, take out of the panel frame.

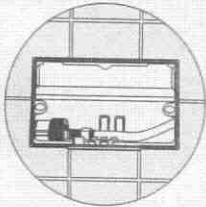


Wring out of the screws and take off the panel board.

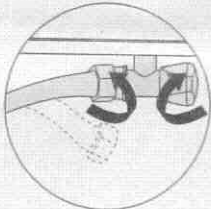


Catch the panel board, turn it over about 30° from the top, take it out aslant & upward.

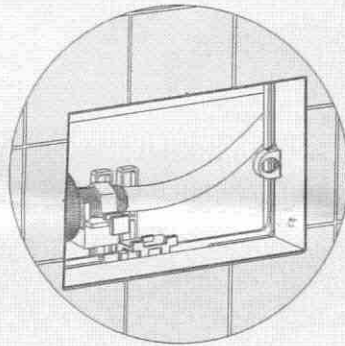
2. Replace fill valve



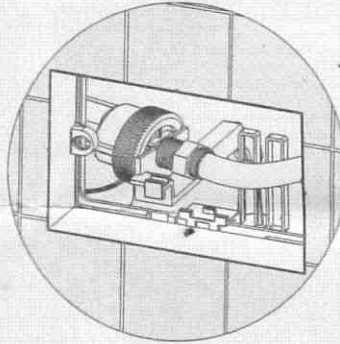
Close the stop valve, wring out of the metal soft pipe.



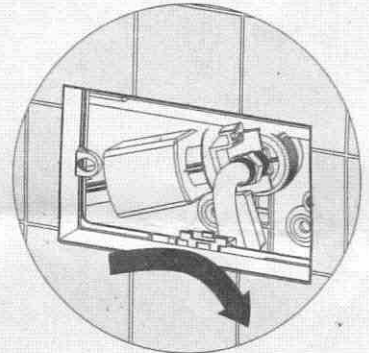
Pull out the fill frame from the knot.



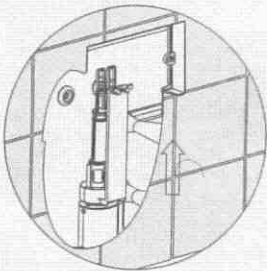
Drive up the fill valve a little.



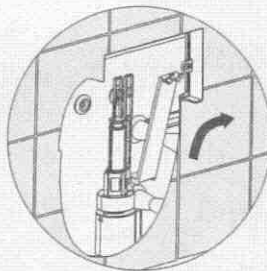
Take out of the fill valve aslant.



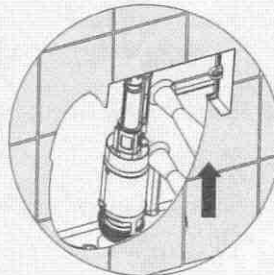
3. Replace flush valve



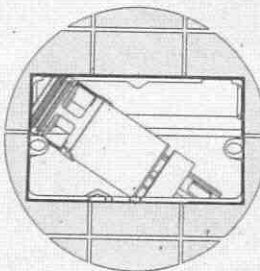
Pull the flush valve with left hand lightly, and the right hand catch the flush frame top and pull it out of the knot.



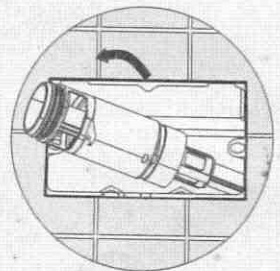
Move the flush frame to the right and take it out aslant.



Pull the flush valve upwards lightly.



Turn the flush valve till the bottom upwards.



Take out the flush valve aslant.

Technologic data:

- (1). 1/2" standard fill water hole.
- (2). The water stress range of fill water is 0.02-1.0Mpa.
- (3). The water temperature range is 2°C-45°C.
- (4). 3L/6L dual flush water volume, the flush water time is 3s-5s.
- (5). The painted steel frame is corrosion resistant and can bear 400kgs heavy stress.
- (6). The product can be installed in the wall of 90mm thickness.